

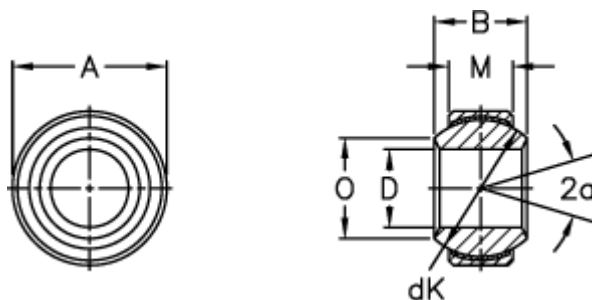
Data Sheet



Article number: 03508160

Description: Fluro Rod end GE 160FW-2RS

Measures



A = 260 0 -0,035

B = 135

D = 160 0 -0,025

dK = 225

Dynamic load C (kN) = 2880

M = 80

O = 180

Static load C0 (kN) = 5760

Tilt angle = 16

Weight = 24900